

**Installation**

# Temperature pocket



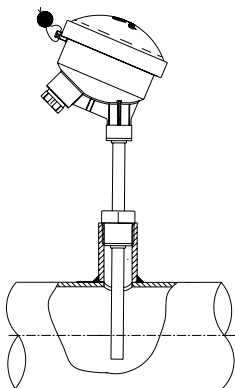
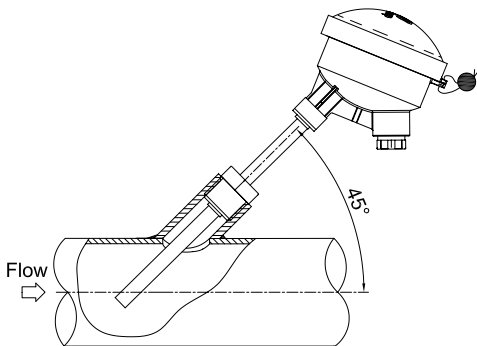
**Kamstrup**

Kamstrup A/S  
Industrivej 28, Stilling  
DK-8660 Skanderborg  
Tel.: +45 89 93 10 00  
Fax: +45 89 93 10 01  
info@kamstrup.com  
www.kamstrup.com

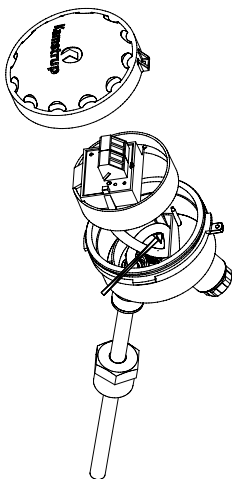
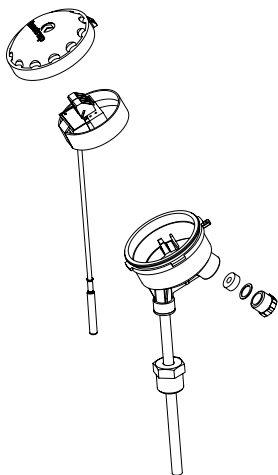
# Temperature pocket with head for Kamstrup sensor insert

---

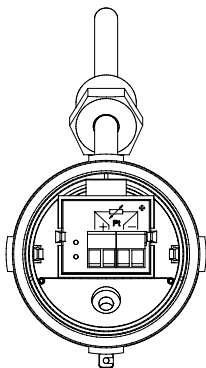
## Examples of installation of temperature pocket with head



## Examples of installation of sensor insert in pocket with head

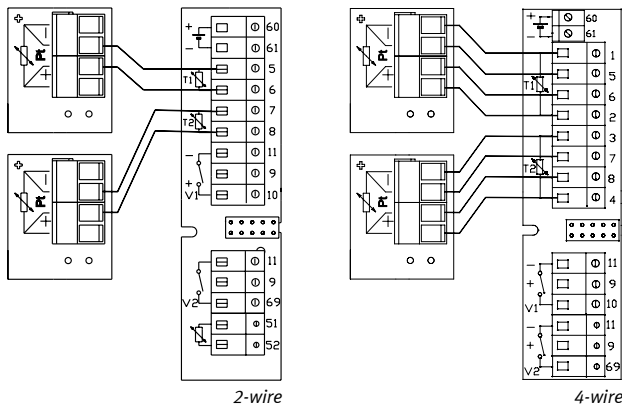


*90 and 140 mm pocket*

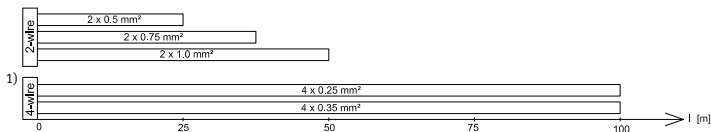


*Connection cable,  $\varnothing 5-10$  mm  
(MULTICAL<sup>®</sup> max.  $\varnothing 6$  mm)*

## Examples of electric connection of MULTICAL® to Kamstrup sensor insert

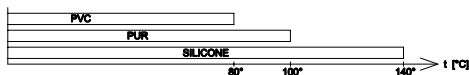


## Pt500 Connecting cable



Please note that flow and return sensors must be connected with equally long cables when using two-wire connection.

## Cap material



Standard values

Dimension connecting cable:  $\varnothing$ 5-10 mm (MULTICAL® max.  $\varnothing$ 6 mm)

1) MULTICAL® 601 and MULTICAL® 801 are MID approved with 100m of 4-wire cable.