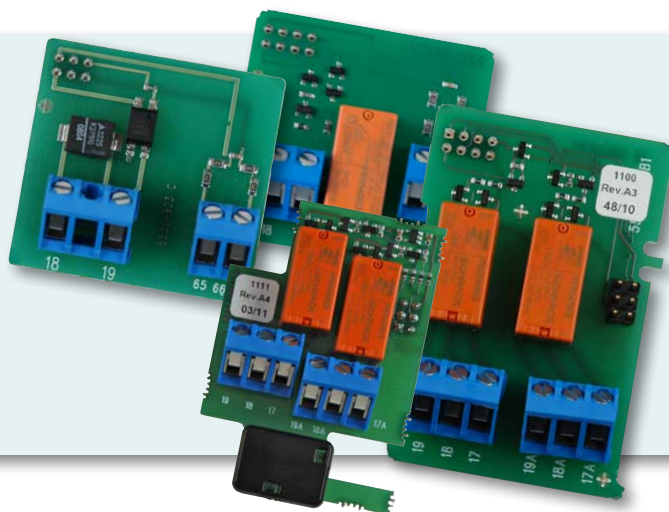


# Load control modules

## DATA SHEET

- Switches on and off 230 V load
- Configurable pulse input
- Easy mounting in electricity meter
- No reverification



## Application

The load control modules are used for switching load on and off, with the possibility of a feedback signal.

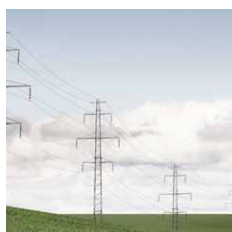
Via the electricity meter configuration the module's load control can be synchronized e.g. with the meter's tariff switch function. The meter's configuration determines the function of the load control output.

For electricity meter generation L each relay has its own Load Control Plan. This controls the load control function enabling it to work independently from the tariff register of the meter.

The 100mA and 5A load control module also has an input terminal, which enables it to receive pulses from e.g. other meters.

The pulse input offers the possibility of collecting pulses from other meters, e.g. a water meter with potential-free output.

The module is easily connected to the plug in the electricity meter's module area or as add-on modul for the GSM7i modul. The module can be mounted or replaced without reverification of the meter.



# Load control modules

## DATA SHEET

### Data load control modules

Type number	6850055	6850058	6850069	6845001
-------------	---------	---------	---------	---------

Technical data				
Supply	Internally via the electricity meter			
Power consumption	< 0.008 W	< 0.2 W		
Terminals	0.15 mm <sup>2</sup> - 2 mm <sup>2</sup>			
Recommended cable cross-section	0.5 mm <sup>2</sup>			
Operating temperature	- 40°C - + 70°C			

Mechanical data				
Storage temperature	- 40°C - + 85°C			
Protection class	IP51 mounted in electricity meter			
Relative humidity	< 95%, not condensing			
Weight	About 25 g	About 30 g	About 35 g	About 27 g
Dimensions, WxLxH	42 x 64 x 17 mm	42 x 40 x 17 mm	42 x 64 x 17 mm	42 x 61 x 22 mm

Marking/approvals				
CE marking	Fulfil requirement mounted in electricity meter			

Load control output				
Voltage rated / max. switching	230/400 VAC			
Max., current	0.12 A	5A/1250 VA	2 x 5A/1250 VA	2x5A/1250VA
Resistance On/Off	50 Ω/1000 MΩ	-	-	-
Isolation voltage (open contact)	1000V			

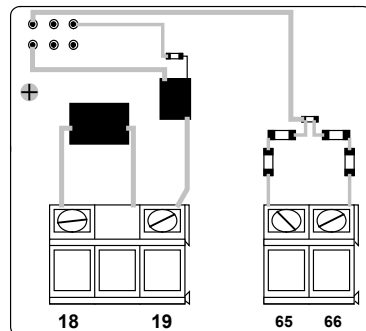
Pulse input				
Cable length max.	20 m	-	-	-
Cable capacity max.	10 nF	-	-	-
Leak current, contact max.	0.5 μA	-	-	-
Frequency max.	25 Hz	-	-	-
No. of pulses before display update	See Technical Description	-	-	-

# Load control modules

## DATA SHEET

### Connection diagram – 100 mA load control module

The module is mounted in the module area of the electricity meter under the transparent cover. The module can be mounted in Kamstrup electricity meters with 6-pin or 8-pin module connection.



#### Load control output

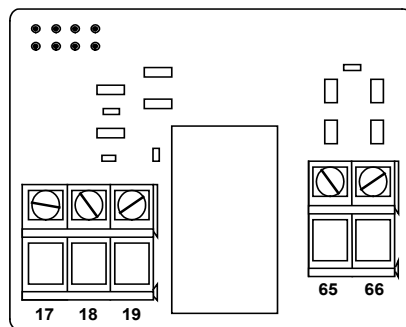
18 External signal current AC/DC  
19 External signal current AC/DC

#### Pulse input

65 + Signal current to passive output  
66 - Signal current from passive output

### Connection diagram – 5A load control module

The module is mounted in the module area of the electricity meter under the transparent cover. The module can only be mounted in Kamstrup electricity meters with 8-pin module connection.



#### Load control output

17 NC  
18 Common  
19 NO

#### Pulse input

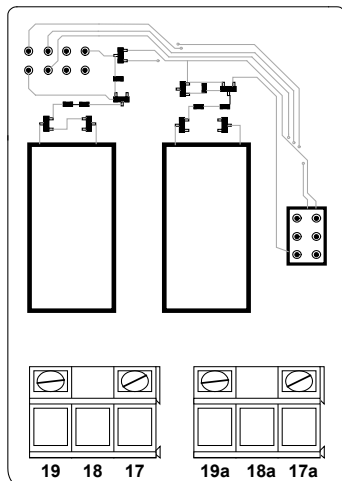
65 + Signal current to passive output  
66 - Signal current from passive output

# Load control modules

## DATA SHEET

### Connection diagram – 2 x 5A load control module

The module is mounted in the module area of the electricity meter under the transparent cover. The module can only be mounted in Kamstrup electricity meters with 8-pin module connection.



#### Load control output 1

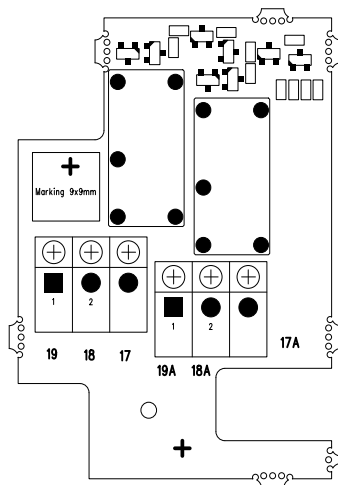
- 17 NC
- 18 Common
- 19 NO

#### Load control output 2

- 17a NC
- 18a Common
- 19a NO

### Connection diagram – 2 x 5A load control module add-on for GSM7i

The module is mounted on a GSM7i module in the module area of the electricity meter under the transparent cover. The module can only be mounted in Kamstrup electricity meters with high cover.



#### Load control output 1

- 17 NC
- 18 Common
- 19 NO

#### Load control output 2

- 17a NC
- 18a Common
- 19a NO

### Ordering specification

Type number	Description
68 50 055	Pulse input and 100 mA load control module
68 50 058	5A load control module
68 50 069	2x5A load control module
68 45 001	2x5A load control module, add-on
59 60 148	High cover for 162
59 60 253	High cover for 382